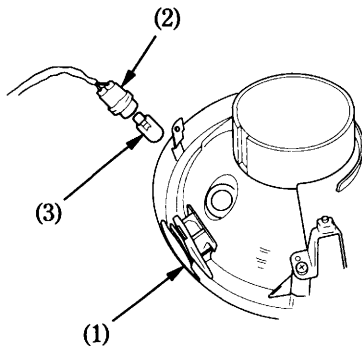


Position Light Bulb

(Except U type)

1. Remove the headlight (1) (page 121).
2. Pull out the socket (2).
3. Pull out the bulb (3) without turning.
4. Install a new bulb in the reverse order of removal.



- (1) Headlight
- (2) Socket
- (3) Bulb