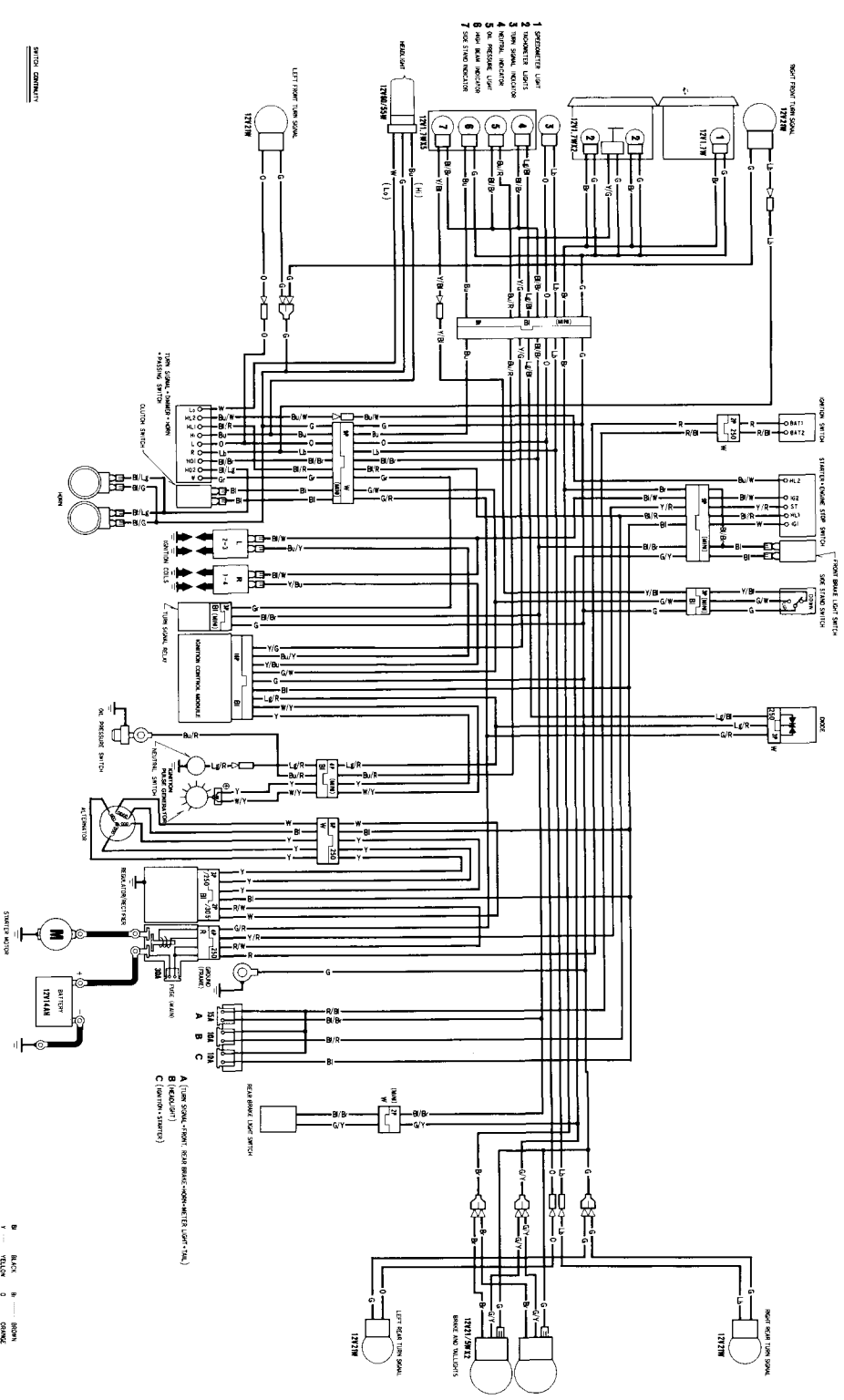


CB750F2 (U)



- 1 INSTRUMENTS LIGHT
- 2 INSTRUMENTS LIGHT
- 3 TURN SIGNAL SWITCH
- 4 HORN
- 5 ON PRECISE LIGHT
- 6 ON PRECISE LIGHT
- 7 DOOR LOCK INDICATOR

A (TURN SIGNAL, HORN, DOOR LOCK, MASTER-CYLINDER LIGHT, H.A.)
 B (HORN LIGHT)
 C (IGNITION SWITCH)

- B BLUE
- Y YELLOW
- R RED
- G GREEN
- W WHITE
- Gr GREY
- B BROWN
- O ORANGE
- L LIGHT BLUE
- P PINK
- D DRAIN

SWITCH DIAGRAMS

