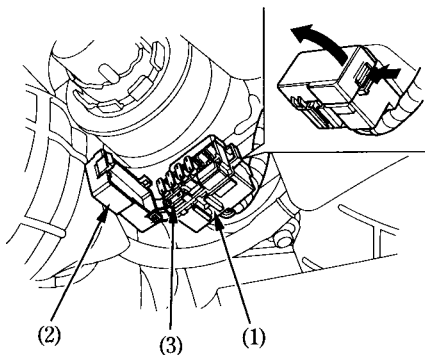


### Fuse box:

The fuse box (1) is located behind the left side cover. The specified fuse are:

10A

1. Remove the left side cover (page 43).
2. Open the fuse box cover (2).

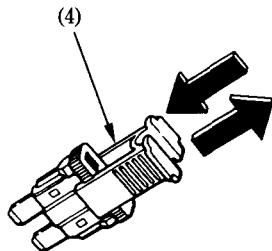


- (1) Fuse box
- (2) Fuse box cover
- (3) Spare fuse

3. Pull out the fuse with the fuse puller (4) furnished in the tool kit. If the fuse is blown, install a new fuse.

The spare fuse (3) is located in the fuse box.

4. Close the fuse box cover and install the left side cover.



(4) Fuse puller