

NOTE:

* Please dispose of used engine oil in a manner that is compatible with the environment. We suggest you take it in a sealed container to your local service station for reclamation. Do not throw it in the trash or pour it on the ground.

CAUTION:

* Used engine oil may cause skin cancer if repeatedly left in contact with the skin for prolonged periods. Although this is unlikely unless you handle used oil on a daily basis, it is still advisable to thoroughly wash your hands with soap and water as soon as possible after handling used oil.

SPARK PLUGS

(Refer to the maintenance precautions on page 58).

Recommended plugs:

Standard:

CR8EH-9 (NGK)

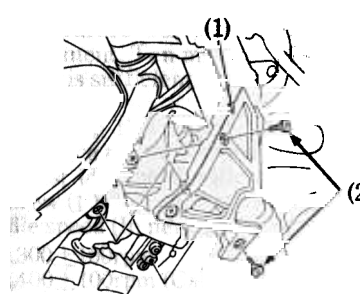
U24FER-9 (ND)

For extended high speed riding:

CR9EH-9 (NGK)

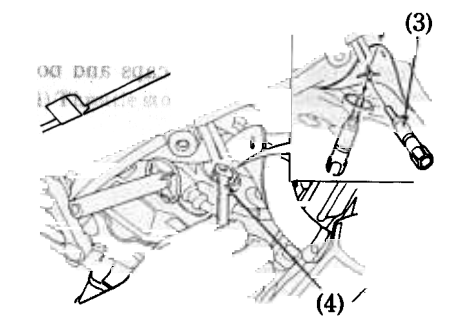
U27FER-9 (ND)

1. Remove the right and left front side plates (1) by removing the bolts (2).
2. Disconnect the spark plug caps.
3. Clean any dirt from around the spark plug bases.
4. Remove the spark plugs using the spark plug wrench (3) and open end wrench furnished in the tool kit. Discard the spark plugs.



(1) Front side plate

(2) Bolts



(3) Spark plug wrench

(4) Open end wrench