

MAJOR COMPONENTS (Information you need to operate this motorcycle)

▲ WARNING

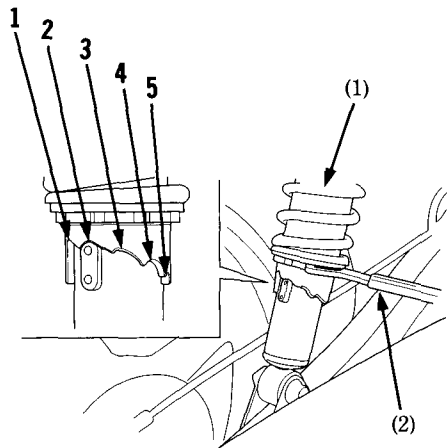
* If the Pre-ride Inspection (page 32) is not performed, severe personal injury or vehicle damage may result.

SUSPENSION

Each shock absorber (1) has adjustment positions for different load or riding conditions.

Use a pin spanner (2) to adjust the rear shocks.

Position 1 is for light loads and smooth road conditions. Positions 2 to 5 increase spring preload for a stiffer rear suspension, and can be used when the motorcycle is heavily loaded. Be certain to adjust both shock absorbers to the same position.



(1) Shock absorber
(2) Pin spanner