

Fuel Tank

The fuel tank capacity including the reserve supply is:

16 l (4.2 US gal, 3.5 Imp gal)

To open the fuel fill cap (1), open the fuel fill cap cover (2), insert the ignition key (3) and turn it clockwise. The cap will pop up and can be lifted off.

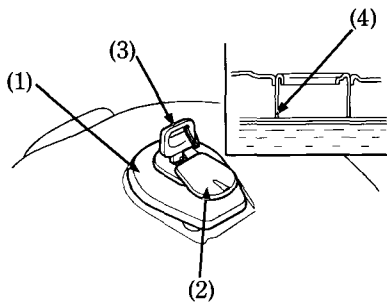
To close the fuel fill cap, align the latch in the cap with the slot in the filler neck.

Push the cap into the filler neck until it snaps closed and locks. Remove the key and close the fuel fill cap cover.

Use unleaded or low-lead petrol with a research octane number of 91 or higher. We recommend that you use unleaded petrol because it produces fewer engine and spark plug deposits and extends the life of exhaust system components.

CAUTION:

* If “spark knock” or “pinking” occurs at a steady engine speed under normal load, change brands of petrol. If spark knock or pinking persists, consult your authorized Honda dealer. Failure to do so is considered misuse, and damage caused by misuse is not covered by Honda’s Limited Warranty.



(1) Fuel fill cap
(2) Fuel fill cap cover

(3) Ignition key
(4) Filler neck