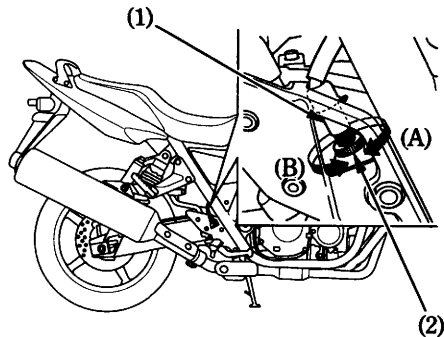


BRAKELIGHT SWITCH ADJUSTMENT

Refer to the Safety Precautions on page 108.

Check the operation of the brakelight switch (1) at the right side behind the engine from time to time.

Adjustment is done by turning the adjusting nut (2). Turn the nut in the direction (A) if the switch operates too late and in direction (B) if the switch operates too soon.



- (1) Brakelight switch
- (2) Adjusting nut