

# CB1100F (DK·DM)

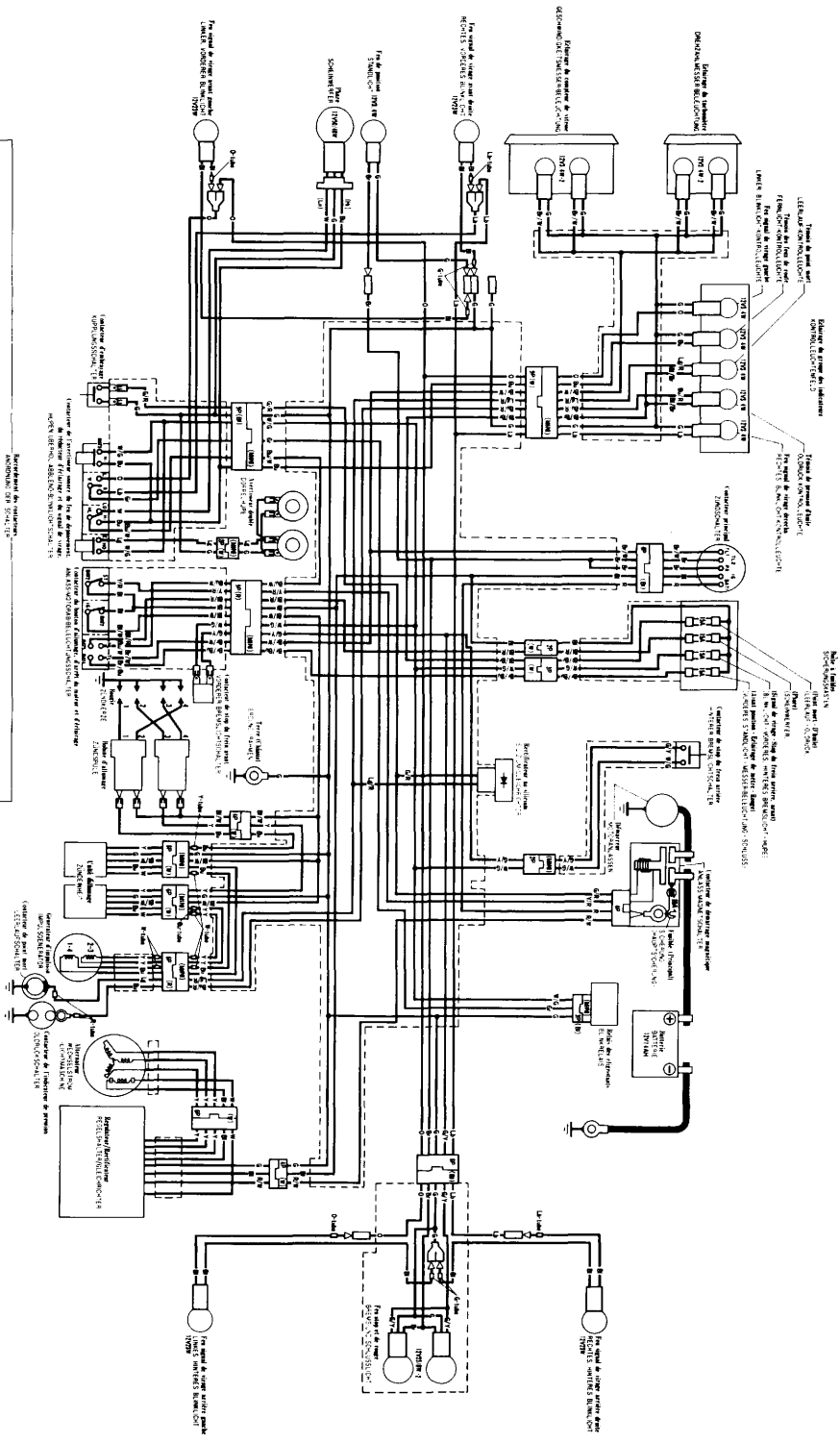


Table of electrical components and their specifications:

Composant	Modèle	Spécifications
Lampes avant	1	12V 35W/55W
	2	12V 35W/55W
	3	12V 35W/55W
	4	12V 35W/55W
Lampes arrière	5	12V 21W/35W
	6	12V 21W/35W
	7	12V 21W/35W
	8	12V 21W/35W
Lampes directionnelles	9	12V 21W/35W
	10	12V 21W/35W
	11	12V 21W/35W
	12	12V 21W/35W
Lampes accessoires	13	12V 21W/35W
	14	12V 21W/35W
	15	12V 21W/35W
	16	12V 21W/35W

Table of electrical components and their specifications:

Composant	Modèle	Spécifications
Lampes avant	17	12V 35W/55W
	18	12V 35W/55W
	19	12V 35W/55W
	20	12V 35W/55W
Lampes arrière	21	12V 21W/35W
	22	12V 21W/35W
	23	12V 21W/35W
	24	12V 21W/35W
Lampes directionnelles	25	12V 21W/35W
	26	12V 21W/35W
	27	12V 21W/35W
	28	12V 21W/35W
Lampes accessoires	29	12V 21W/35W
	30	12V 21W/35W
	31	12V 21W/35W
	32	12V 21W/35W