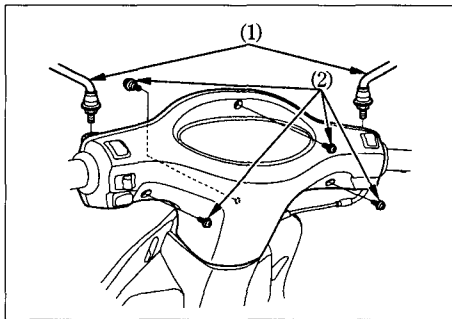
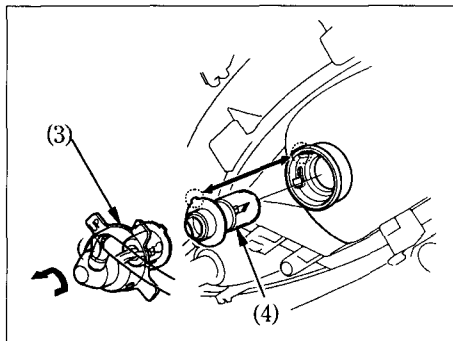


Headlight Bulb

1. Remove the rearview mirrors (1).
2. Remove the headlight assembly by removing the four screws (2).
3. Pull out the headlight assembly.
4. Slightly press the socket (3) and turn it counterclockwise.
5. Pull out the headlight bulb (4).
6. Install a new bulb in the reverse order of removal.



- (1) Rearview mirrors
(2) Screws



- (3) Socket
(4) Headlight bulb