

Engine Oil ,

Engine Oil Level Check

Check the engine oil level each day before riding the motorcycle.

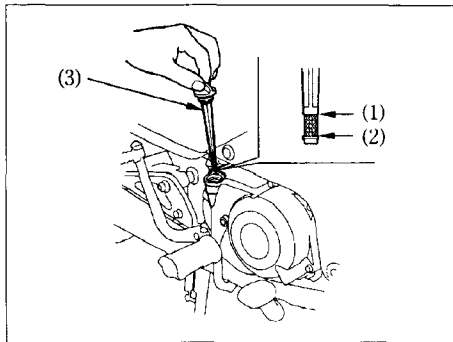
The level must be maintained between the upper (1) and lower (2) level marks on the dipstick (3).

1. Start the engine and let it idle for a few minutes.
2. Stop the engine and put the motorcycle on its center stand on level ground.
3. After a few minutes, remove the oil filler cap/dipstick (3), wipe it clean, and reinsert the dipstick without screwing it in. Remove the dipstick. The oil level should be between the upper (1) and lower (2) level marks on the dipstick.
4. If required, add the specified oil (see page 53) up to the upper level mark. Do not overfill.

5. Reinstall the oil filler cap/dipstick. Check for oil leaks.

ATTENTION

Running the engine with insufficient oil pressure may cause serious engine damage.



- (1) Upper level mark
- (2) Lower level mark
- (3) Oil filler cap/dipstick