

## BRAKE ADJUSTMENT

### Brake Lever

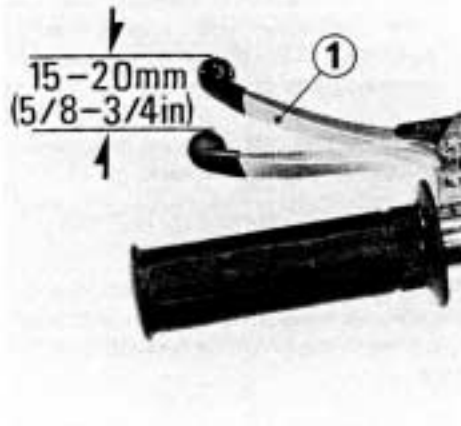
Free play, measured at the tip of the brake lever ①, should be 15 ~ 20 mm (5/8 ~ 3/4 in).

The adjusting nut ② is located on the brake operating rod at the rear of the ATC.

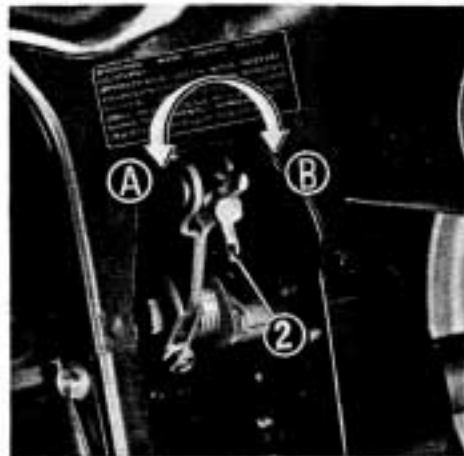
If proper free play cannot be obtained after adjustment, see your authorized Honda dealer.

Check the brake cable for kinks or signs of wear that could cause sticking or failure. Lubricate the brake cable with a commercially available cable lubricant to prevent premature wear and corrosion.

Make sure the brake arm, spring and fasteners are in good condition.



① Brake lever



② Adjusting nut

A Increase free play

B Decrease free play