

SPARK PLUG

CHAMPION RN2C
NGK BR9ES

CAUTION:

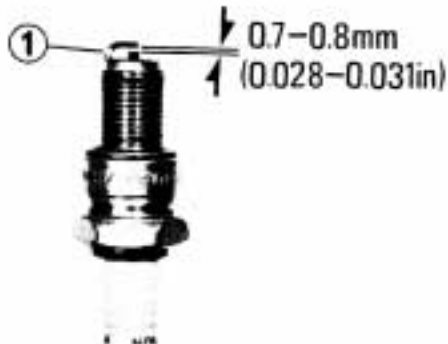
* *The use of spark plugs of incorrect size or heat range can cause serious engine damage.*

1. Clean any dirt from around the spark plug base.
2. Disconnect the spark plug cap and remove the plug with the wrench provided in the tool kit.
3. Visually inspect the spark plug electrodes for wear. The center electrode should have square edges and the side electrode should not be eroded. If the electrodes and insulator tip appear unusually fouled or burned, we suggest that you contact an authorized Honda dealer to determine the cause of this condition. Discard the spark plug if there is apparent wear or if the insulator is cracked or chipped.
4. Make sure that the spark plug gap is 0.7–0.8 mm (0.028–0.031 in) using a feeler gauge. If adjustment is necessary, bend the side electrode (1) carefully.

5. With the plug washer attached, thread the spark plug in by hand to prevent **cross-threading**.
6. Tighten a new spark plug $\frac{1}{2}$ turn with a spark plug wrench to compress the washer. If you are reusing a plug, it should only take $\frac{1}{8}$ – $\frac{1}{4}$ turn after the plug seats.

CAUTION:

* *The spark plug must be securely tightened. An improperly tightened plug can become very hot and possibly damage the engine.*



(1) Side electrode