

## COOLANT

### Coolant Recommendation

The owner must properly maintain the coolant to prevent freezing, overheating and corrosion. Use only high quality ethylene glycol antifreeze containing corrosion protection inhibitors specifically recommended for use in aluminum engines. (See ANTI-FREEZE CONTAINER LABEL.)

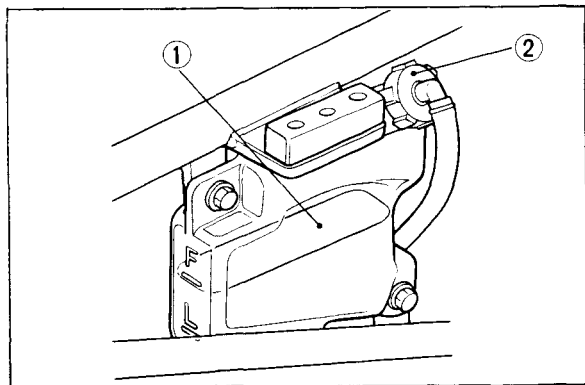
### CAUTION

\* *Use only low-mineral drinking water or distilled water as a part of the antifreeze solution. Water that is high in mineral content or salt may be harmful to the aluminum engine.*

The factory provides as a 50/50 solution of anti-freeze and water in this ATC 250R.

### Inspection

The reserve tank is behind the right side cover. Check the coolant level in the reserve tank (1) while the engine is at the normal operating temperature. If the coolant level is low, remove the reserve tank cap (2) and add coolant mixture until it reaches the UPPER level mark. Do not remove the radiator cap.



(1) Reserve tank

(2) Reserve tank cap