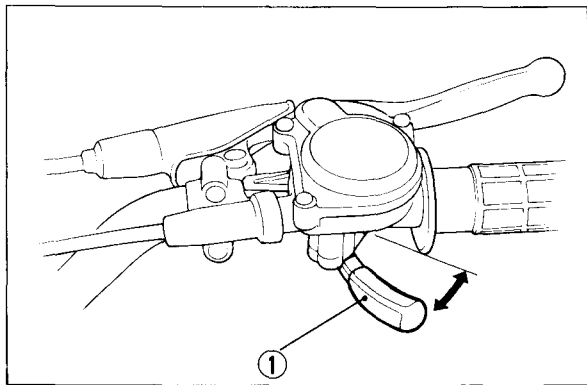


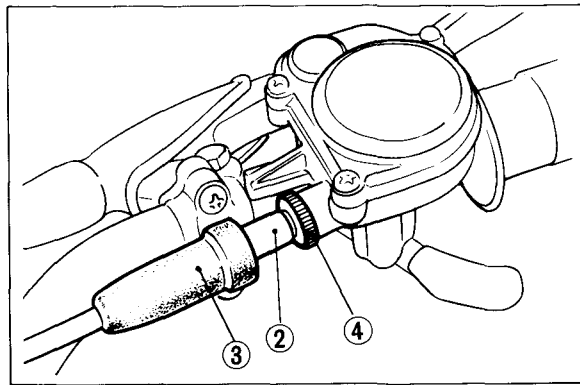
## THROTTLE CABLE

Inspect the throttle cable for condition and operation. Replace the cable if it has become worn or kinked. Lubricate the cable with a commercially available cable lubricant to prevent premature wear and corrosion. Free play, measured at the tip of the throttle lever (1), should be maintained at 3–8 mm (1/8–5/16 in).



(1) Throttle lever

The cable adjuster (2) is located near the right grip. Slide the rubber sleeve (3) back to expose the throttle cable adjuster. Loosen the lock nut (4) and turn the cable adjuster to obtain the correct free play. Retighten the lock nut and reinstall the sleeve after adjustment.



(2) Cable adjuster

(3) Rubber sleeve

(4) Lock nut