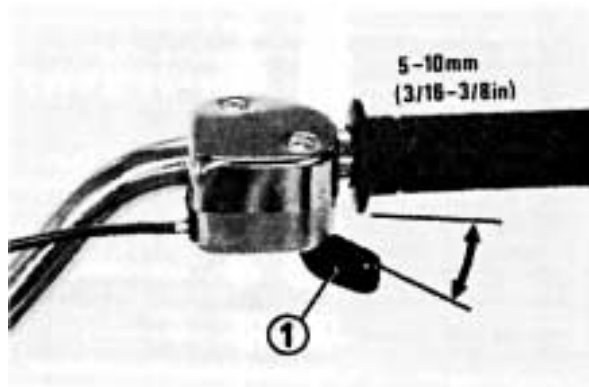


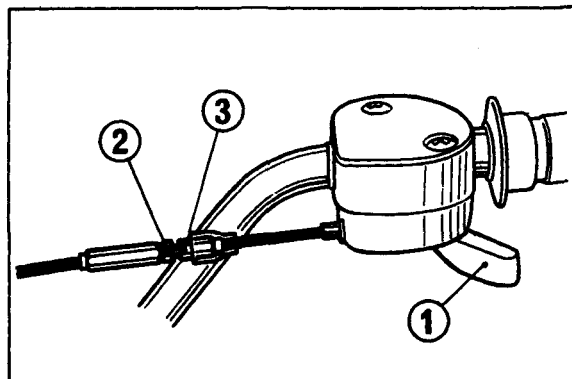
THROTTLE CABLE

Inspect throttle cable condition and operation. The cable must not bind or impair smooth operation of the throttle lever in any steering position. Reroute the cable if it is improperly installed. Replace the cable if it has become worn or kinked. Lubricate the cable with a commercially available cable lubricant to prevent premature wear or corrosion. Free play, measured at the tip of the throttle lever (1), should be maintained at 5–10 mm (3/16–3/8 in).



(1) Throttle lever

The cable adjuster (3) is located near the throttle lever. Loosen the lock nut (2) and turn the adjuster to obtain the correct free play.



(2) Lock nut

(3) Cable adjuster